

Microcilindro Tipo Cartucho Série CRTC Metal Work



CARTRIDGE MICROCYLINDER SERIES CRTC, Ø 6-16 mm

Single-acting micro-cylinders with threaded body for fixing in small space or directly inside the machine body, owing to the external O-ring which ensures perfect seal.

ATTENTION: in case of cycles with high frequencies it's advisable that the piston doesn't reach the end of the stroke during the rod coming out stage

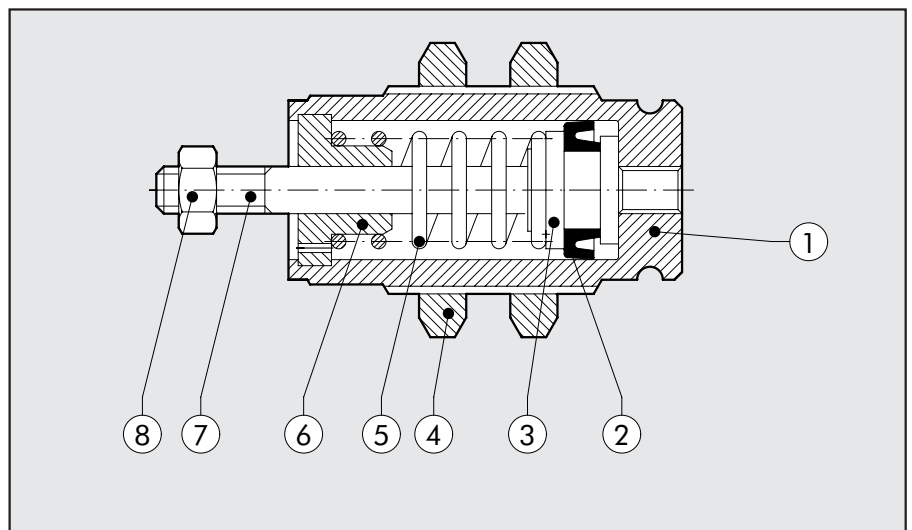


TECHNICAL DATA

Gaskets	NBR			
Operating pressure	2 to 6 bar (0.2 to 0.6 Mpa)			
Temperature range	°C -10 to +80			
Fluid	Lubricated or unlubricated air. Lubrication, if used, must be continuous			
Bores	mm	6 ; 10 ; 16		
Strokes	mm	5 ; 10 ; 15		
Port	M5			
Versions	Single-acting			
Design	Mechanically edged			
Seal OR on the body (not included in the supply)	Ø	OR		
	6	7x1		
	10	9.5x1.5		
	16	16x1.5		
Weight	[g]	Ø STROKE		
		5	10	15
	6	14	16	19
	10	30	35	40
	16	76	84	90

COMPONENTS

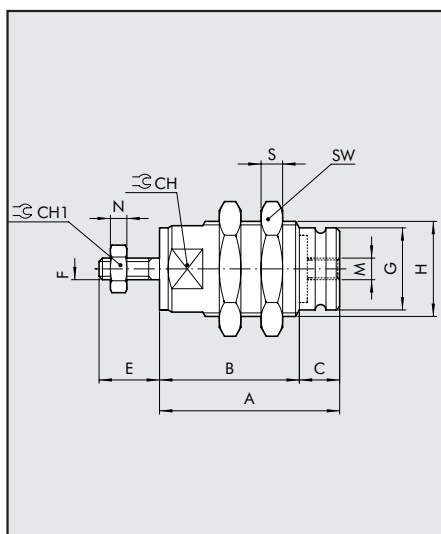
- ① Nickel-plated brass body
- ② NBR rubber piston rod gasket
- ③ AISI 303 steel piston/piston rod (for Ø 6 - Ø 10)
- ③ Brass piston (for Ø 16)
- ④ Steel spring
- ⑤ Zinc-plated steel nut
- ⑥ Brass bushing
- ⑦ AISI 303 steel piston rod (for Ø 16)
- ⑧ Zinc-plated steel nut





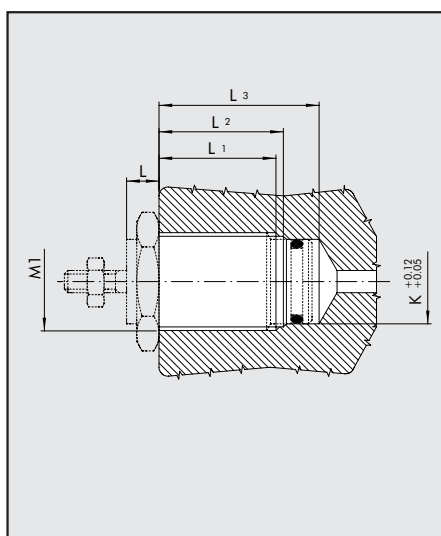
CARTRIDGE CYLINDER DIMENSIONS, Ø 6, 10, 16

Ø	A			Stroke			B			Stroke			C	CH	CH1	E	F	G	H	M	N	S	SW
	5	10	15	5	10	15	5	10	15	5	10	15											
6	19.5	26.5	33.5	14.5	21.5	28.5	5	9	5.5	8	M3	8.5	M10x1	M5	2.4	3	14						
10	23	29.5	36.5	16	22.5	29.5	7	14	7	10.5	M4	12	M15x1.5	M5	2	4	19						
16	27	32	37	21	26	31	6	20	8	13	M5	19	M22x1.5	M5	4	5	27						



ASSEMBLY SEAT DIMENSIONS

Ø	L			Stroke			L1			Stroke			L2			Stroke			L3			K	M1
	5	10	15	5	10	15	5	10	15	5	10	15	5	10	15	5	10	15					
6	5	5	5	10	17	24	12	19	26	16	24	31	8.5	M10x1									
10	6	6	6	11	17	24	13	19	26	20	26	34	12	M15x1.5									
16	7	7	7	15	20	25	17	21	27	26	31	36	19	M22x1.5									



KEY TO CODES

CYL	C	R	T	C	0	1	0	0	0	1	0	S	0	0	0	0	0	
	TYPE			DIAMETER			STROKE			TYPE			FURTHER DESCRIPTION			SPECIAL DESIGN		
	CARTRIDGE MICROCYLINDER			006	010	016	0005	0010	0015	Single-acting retracted piston rod								

ORDERING CODES

Codes	Description
W1000060005	CYL. CRTC-006-0005-S000-00
W1000060010	CYL. CRTC-006-0010-S000-00
W1000060015	CYL. CRTC-006-0015-S000-00
W1000100005	CYL. CRTC-010-0005-S000-00
W1000100010	CYL. CRTC-010-0010-S000-00
W1000100015	CYL. CRTC-010-0015-S000-00
W1000160005	CYL. CRTC-016-0005-S000-00
W1000160010	CYL. CRTC-016-0010-S000-00
W1000160015	CYL. CRTC-016-0015-S000-00

FURTHER DESCRIPTIONS = NOT ENVISAGED
SPECIAL DESIGN